

IP67 UV-PROTECT NETWORK PLASTIC BOX WP SERIES



Waterproofing ability by using silicone gasket

Highly elastic and durable silicone gasket for high waterproof ability. The use of insert nuts allows the unit to retain its waterproof ability even after multiple opening and closing.



Weather-resistant ASA material

The white gray "G" type utilize a UV resistant, durable ASA material. Recommended for outdoors usage as a communication device type equipment.



Waterproofing ability by using silicone gasket

Easy mounting onto walls and brackets by opening the blind lids. A clean and sleek appearance can be maintained as screws are hidden away by the blind lids.



Waterproofing ability by using silicone gasket

By using a pole mounting accessory, it can be attached to poles with ease.



How to make buttons and switches waterproof

Utilize a waterproof membrane keypad, membrane switch or overlay.

Note that the waterproof performance will be lost once holes or cutouts for buttons and/or switches drilled/machined on waterproof enclosures.



Product by Arrow7 Co., Ltd. (Japan)
Website : arrow7.co.jp

How to make waterproof buttons and switches

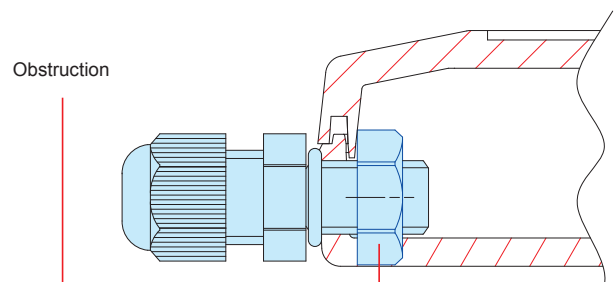
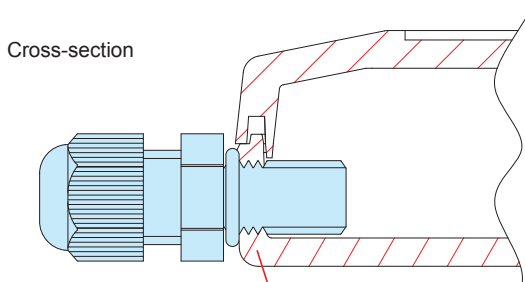
Please utilize a waterproof membrane keypad, membrane switch or overlay.

Note that the waterproof performance will be lost by drilling/milling holes or cutouts for buttons or switches on waterproof enclosures.



Please utilize a waterproof membrane keypad, membrane switch or overlay.

Note that the waterproof performance will be lost by drilling/milling holes or cutouts for buttons or switches on waterproof enclosures.



Thread hole milling from M6 ~ M32, PG7 ~ PG21 sizes can be performed as per your requirements.



WP SERIES

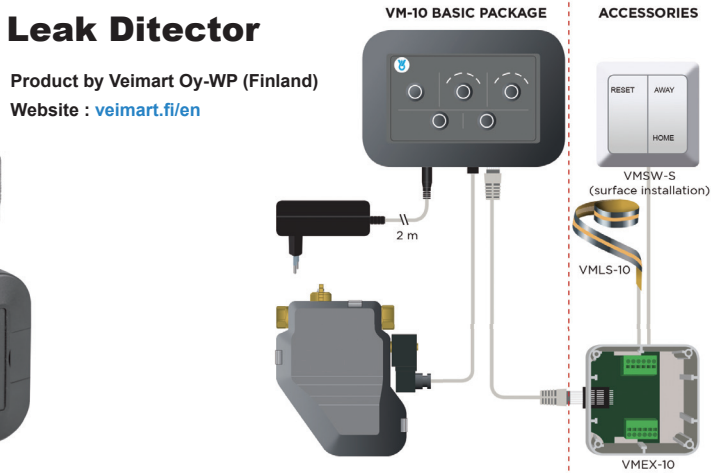
APPLICATION EXAMPLE



LeakLess Monitor - Industrial Pressure/Flow Data Logger



Leak Guard - Home Water Leak Detector



Wireless Temperature/Humidity Transmitter



LoRaWAN Network Air Pressure Sensor



Sigfox Remote Surveillance Sensor



Network Sensor for Agriculture

Product by Demand Side Instruments (France)

Website : dsinstruments.fr



Remote Sprinkler Control Unit



Product by Demand Side Instruments (France)

Website : dsinstruments.fr



Argonomic Parameter Surveillance Unit LoRa Gateway

Product by Argotec Engineering S.L (Spain)

Website : argotec.es



Maritime GPS Tracking System

Product by HidnSeek (France)

Website : hidnseek.fr





- IP67 protection class allows the unit to be used outdoors while protecting the internal components from dust and water.
- Available in 2 types : UV-resistant ASA in white gray color, and flame-resistant ABS in charcoal gray color.
- Addition of 8 sizes for a total of 24 different selectable sizes.
- Mount on walls or brackets by simply opening the blind lids.
- Pole mounting is possible via an optional pole mounting bracket accessory.

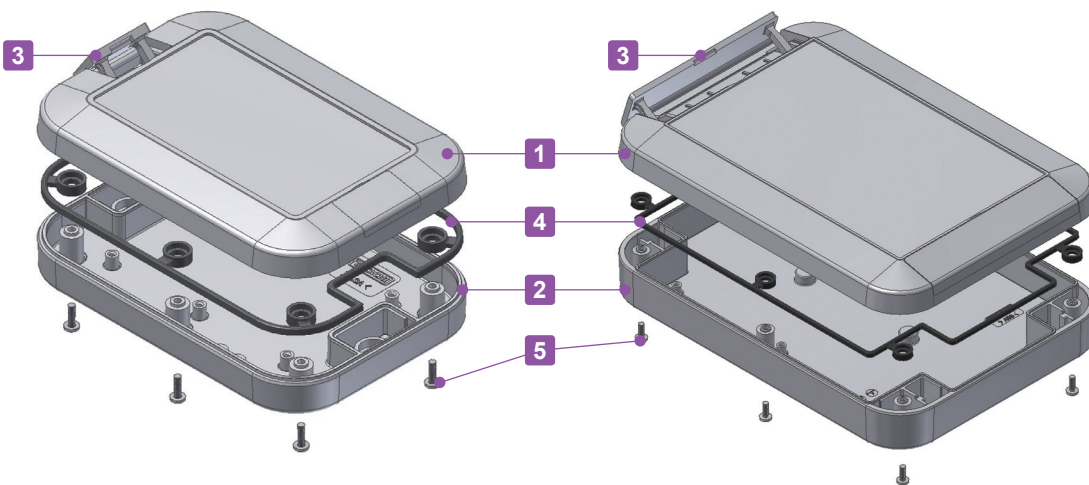


Technical Data	
Protection class :	IP67
Operating temperature :	
	ASA* -30 ~ +60°C
	ABS -10 ~ +50°C

*May become brittle and break under impact when temperature is lowered close to -30°C.

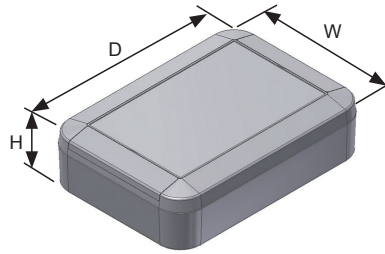
WP5-7-2 ~ WP13-18-5

WP15-15-4 ~ WP20-28-7



Components

No.	Part name	Pcs	Material / Color
1	Top cover	1	ASA UL94HB / White gray : Flame-resistant ABS UL94V-0 / Charcoal gray
2	Bottom base	1	ASA UL94HB / White gray : Flame-resistant ABS UL94V-0 / Charcoal gray
3	Blind lids	2	ASA UL94HB / White gray : Flame-resistant ABS UL94V-0 / Charcoal gray
4	Gasket	1	Silicone / Black
5	Screw	4 ~ 6	Stainless steel binding head screw / Unfinished



Product no. / Dimensions

Product no.		Dimensions			Weight (kg)	Screw	Recommended torque (N · m)	
● White gray (ASA)	● Charcoal gray (ABS)	W	D	H			Box Assembling	PCB Mounting
WP 5- 7-2G	WP 5- 7-2C	52	65	18	31.5	M2-8 x 4 pcs	0.2 ~ 0.25	0.12 ~ 0.15
WP 5- 7-3G	WP 5- 7-3C	52	65	27	39.5	M2-8 x 4 pcs	0.2 ~ 0.25	0.12 ~ 0.15
WP 6- 8-2G	WP 6- 8-2C	60	80	20	41.5	M2-8 x 4 pcs	0.25 ~ 0.3	0.12 ~ 0.15
WP 6- 8-3G	WP 6- 8-3C	60	80	30	49	M2-8 x 4 pcs	0.25 ~ 0.3	0.12 ~ 0.15
WP 8- 8-2G	WP 8- 8-2C	75	75	22	57.5	M2.5-8 x 4 pcs	0.25 ~ 0.35	0.12 ~ 0.15
WP 8- 8-4G	WP 8- 8-4C	75	75	35	88.5	M2.5-16 x 4 pcs	0.25 ~ 0.35	0.12 ~ 0.15
WP 8-10-2G	WP 8-10-2C	75	100	22	74	M2.5-8 x 4 pcs	0.25 ~ 0.35	0.12 ~ 0.15
WP 8-10-4G	WP 8-10-4C	75	100	35	95	M2.5-16 x 4 pcs	0.25 ~ 0.35	0.12 ~ 0.15
WP 9-13-3G	WP 9-13-3C	90	130	25	113	M2.5-8 x 6 pcs	0.25 ~ 0.35	0.2 ~ 0.25
WP 9-13-4G	WP 9-13-4C	90	130	40	141	M2.5-16 x 6 pcs	0.25 ~ 0.35	0.2 ~ 0.25
WP10-10-3G	WP10-10-3C	100	100	25	96	M2.5-8 x 4 pcs	0.25 ~ 0.35	0.2 ~ 0.25
WP10-10-4G	WP10-10-4C	100	100	40	121	M2.5-16 x 4 pcs	0.25 ~ 0.35	0.2 ~ 0.25
WP11-15-3G	WP11-15-3C	110	150	27	153	M2.5-8 x 6 pcs	0.25 ~ 0.35	0.2 ~ 0.25
WP11-15-4G	WP11-15-4C	110	150	40	181	M2.5-16 x 6 pcs	0.25 ~ 0.35	0.2 ~ 0.25
WP13-18-3G	WP13-18-3C	130	175	30	225	M2.5-8 x 6 pcs	0.25 ~ 0.35	0.2 ~ 0.25
WP13-18-5G	WP13-18-5C	130	175	45	266	M2.5-16 x 6 pcs	0.25 ~ 0.35	0.2 ~ 0.25
NEW WP15-15-4G	NEW WP15-15-4C	150	150	40	239	M3-8 x 4 pcs	0.35 ~ 0.45	0.2 ~ 0.3
NEW WP15-15-6G	NEW WP15-15-6C	150	150	55	282.5	M3-8 x 4 pcs	0.35 ~ 0.45	0.2 ~ 0.3
NEW WP15-21-4G	NEW WP15-21-4C	150	210	40	323	M3-8 x 6 pcs	0.35 ~ 0.45	0.2 ~ 0.3
NEW WP15-21-6G	NEW WP15-21-6C	150	210	55	367.5	M3-8 x 6 pcs	0.35 ~ 0.45	0.2 ~ 0.3
NEW WP20-20-5G	NEW WP20-20-5C	200	200	45	434	M3-8 x 6 pcs	0.35 ~ 0.45	0.2 ~ 0.3
NEW WP20-20-7G	NEW WP20-20-7C	200	200	65	505	M3-8 x 6 pcs	0.35 ~ 0.45	0.2 ~ 0.3
NEW WP20-28-5G	NEW WP20-28-5C	200	280	45	557.5	M3-8 x 6 pcs	0.35 ~ 0.45	0.2 ~ 0.3
NEW WP20-28-7G	NEW WP20-28-7C	200	280	65	646	M3-8 x 6 pcs	0.35 ~ 0.45	0.2 ~ 0.3

■ Recommended torque listed is for reference only; actual may differ. Assemble after testing torque.

■ G color type shall undergo a revision. Color shall change from "White gray - RAL7035" to "Munsell N8.75 or similar".

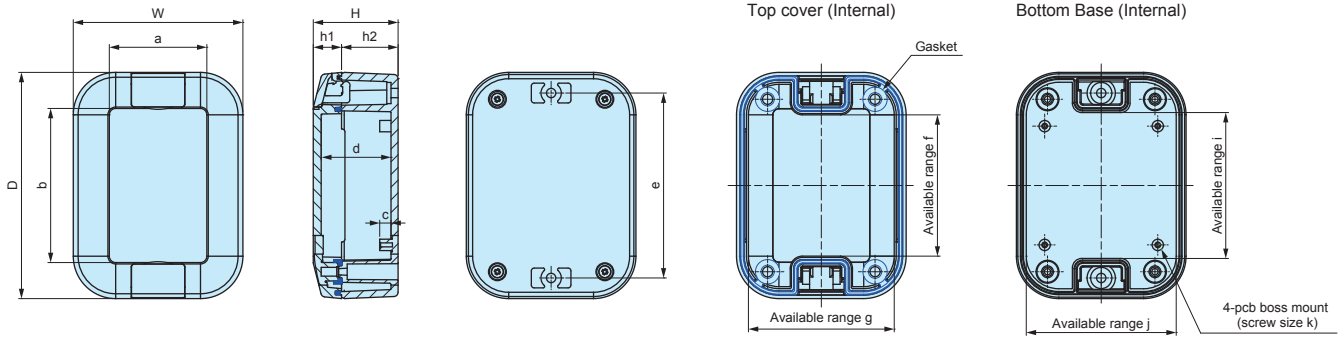


Accessories (Optional parts)



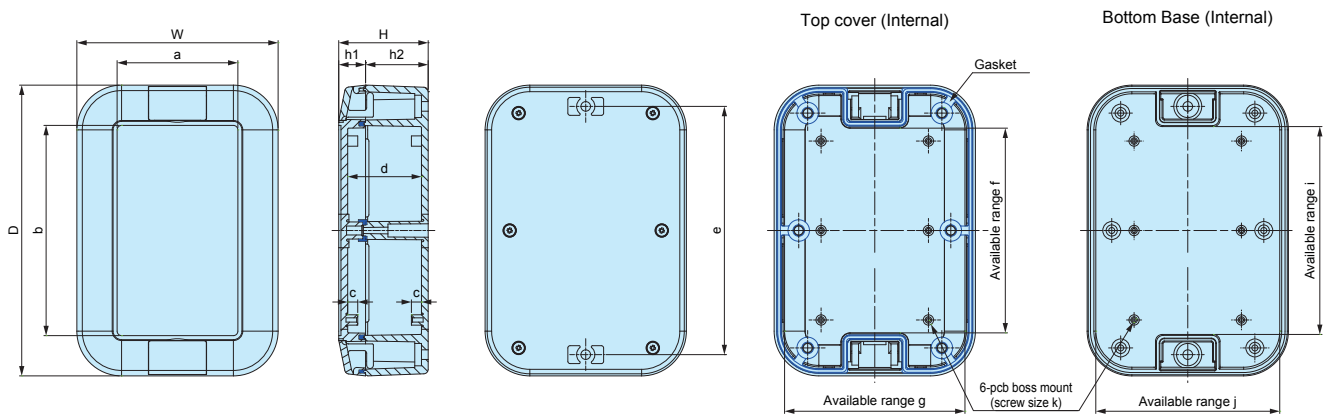
WP dimensions

■ Drawings below are reference examples only.
DXF/DWG/PDF drawings available on our website.

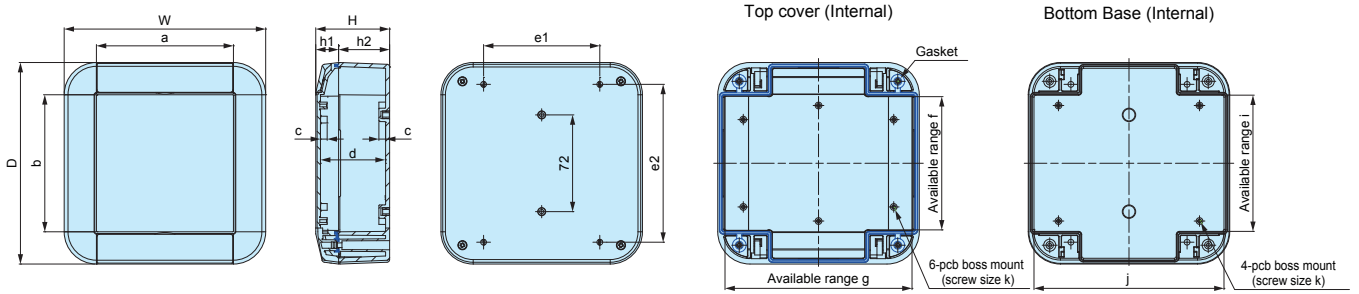


※Boss for PCB are located inside top covers of certain models. Detailed information available on DXF/DWG/PDF drawings.

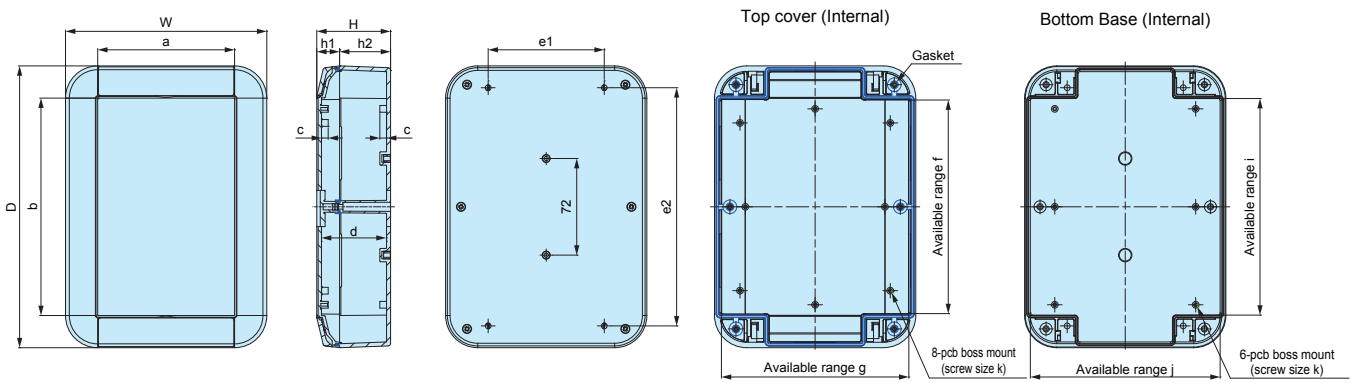
Product no.	W	D	H	h1	h2	a	b	c	d	e	f	g	i	j	k
WP 5- 7-2	52	65	18	10	8	26.5	38.8	4	13	50.6	34.5	43.5	37	46	M2
WP 5- 7-3	52	65	27	10	17	26.5	38.8	4	22	50.8	34.5	43.5	36.5	45	M2
WP 6- 8-2	60	80	20	10	10	34.5	53.8	4	14.7	65.8	50	51.5	52	53.5	M2
WP 6- 8-3	60	80	30	10	20	34.5	53.8	4	24.7	65.4	50	51.5	51	53	M2
WP 8- 8-2	75	75	22	10	12	49.5	48.8	4	16.4	60.6	44	66	42	67	M2
WP 8- 8-4	75	75	35	10	25	49.5	48.8	4	29.4	60.4	43	66	42	66	M2
WP 8-10-2	75	100	22	10	12	46	71	4	16	85.6	69	66	67	67	M2
WP 8-10-4	75	100	35	10	25	46	71	4	29	85.4	69	66	67	66	M2
WP10-10-3	100	100	25	12	13	63.8	63.7	4.5	18	81.2	60	89	61	90	M2.3
WP10-10-4	100	100	40	12	28	63.8	63.7	4.5	33	81	60	89	61	90	M2.3



Product no.	W	D	H	h1	h2	a	b	c	d	e	f	g	i	j	k
WP 9-13-3	90	130	25	12	13	53.8	93.7	4.5	18	111.2	90	79	91	81	M2.3
WP 9-13-4	90	130	40	12	28	53.8	93.7	4.5	33	111	90	79	91	81	M2.3
WP11-15-3	110	150	27	12	15	73.7	113.5	4.5	20	131.2	110	99	110	100	M2.3
WP11-15-4	110	150	40	12	28	73.7	113.5	4.5	33	131	110	99	110	100	M2.3
WP13-18-3	130	175	30	12	18	93.8	138.8	4.5	23	156.2	136	120	135	120	M2.3
WP13-18-5	130	175	45	12	33	93.8	138.8	4.5	38	156.2	136	120	135	120	M2.3



Product no.	W	D	H	h1	h2	a	b	c	d	e1	e2	f	g	i	j	k
WP15-15-4	150	150	40	17	23	102	102	5	33.5	86.5	117.5	99	139	100	141	M2.6
WP15-15-6	150	150	55	17	38	102	102	5	48.5	86.5	117.5	99	139	100	140	M2.6

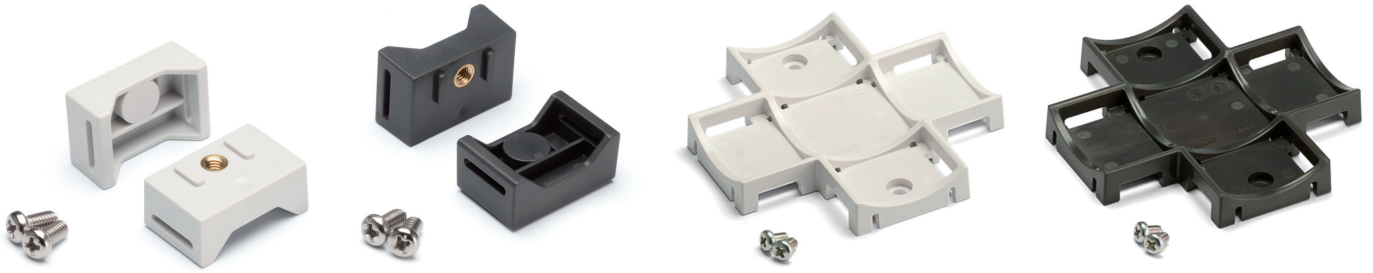


Product no.	W	D	H	h1	h2	a	b	c	d	e1	e2	f	g	i	j	k
WP15-21-4	150	210	40	17	23	102	162	5	33.5	86.5	177.5	159	139	160	141	M2.6
WP15-21-6	150	210	55	17	38	102	162	5	48.5	86.5	177.5	159	139	160	140	M2.6
WP20-20-5	200	200	45	20	25	152	152	5	38.5	136.5	167.5	148	187	150	190	M2.6
WP20-20-7	200	200	65	20	45	152	152	5	58.5	136.5	167.5	148	187	149	189	M2.6
WP20-28-5	200	280	45	20	25	152	232	5	38.5	136.5	247.5	227	187	230	190	M2.6
WP20-28-7	200	280	65	20	45	152	232	5	58.5	136.5	247.5	227	187	229	189	M2.6

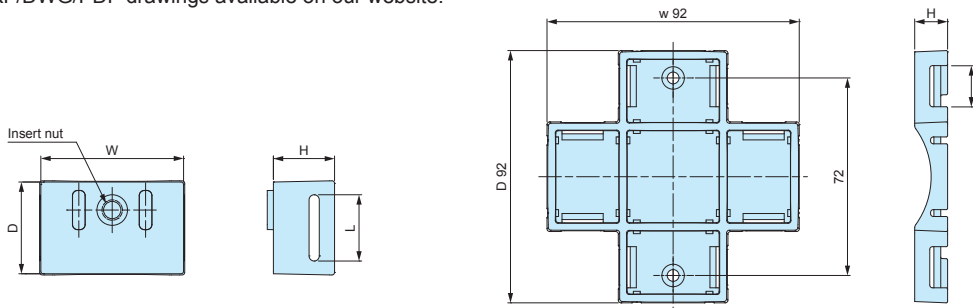
WPMB SERIES

POLE MOUNT BRACKET

NEW SIZE



- Pole mount bracket made from weather resistant ASA material.
- Hole milling is not required when installing the mount bracket, thus allowing the enclosure to maintain its IP67 protection.
- WPMB-M4-2 can be used both for vertical and horizontal installation.
- Together with WPMB series, the PKB series mounting belt enables the unit to be mounted onto a pole.
- DXF/DWG/PDF drawings available on our website.



Color Type

Code	Color
G	White gray
D	Dark Gray

WPMB-M3 □ WPMB-M4

WPMB-M4-2

Product no. / Dimensions

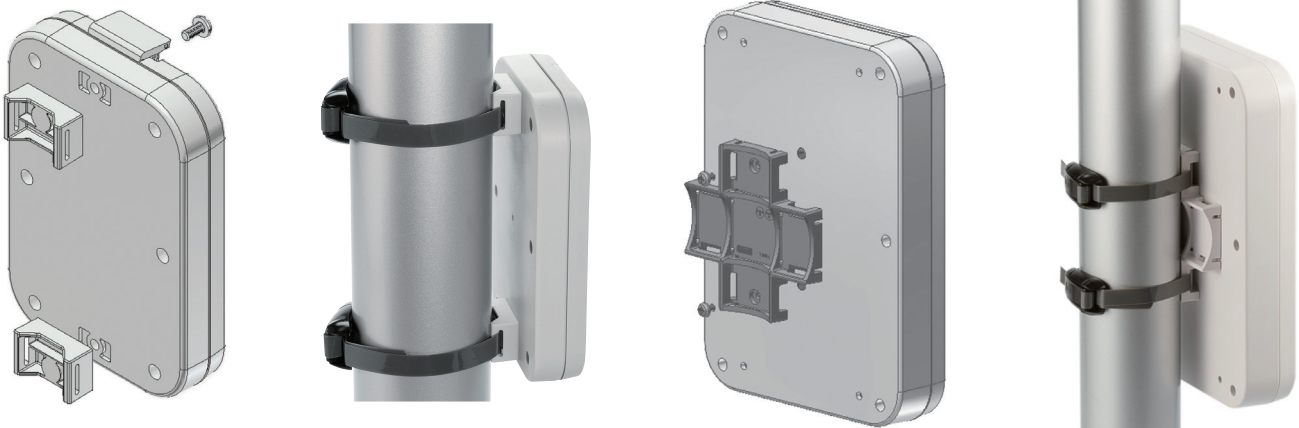
■ Please suffix color code at the end of the product number.

Product no.	Dimensions				Material / Finish	Screw	Suitable enclosures	Recommended torque (N · m)	Weight (g)	Pack of
	W	D	H	L						
WPMB-M3 □	18	14	9.5	11	ASA UL94HB	Stainless steel M3-6 x 2 pcs	WP5-7-2 • 5-7-3 • 6-8-2 • 6-8-3 • 8-8-2 • 8-8-4 • 8-10-2 • 8-10-4	0.4 ~ 0.45	3	2 (pair)
WPMB-M4 □	28	18	12	13	ASA UL94HB	Stainless steel M4-8 x 2 pcs	WP9-13-3 • 9-13-4 • 10-10-3 • 10-10-4 • 11-15-3 • 11-15-4 • 13-18-3 • 13-18-5	0.45 ~ 0.5	10	2 (pair)
NEW WPMB-M4-2 □	92	92	12	13	ASA UL94HB	Stainless steel M4-6 x 2 pcs	WP15-15-4 • 15-15-6 • 15-21-4 • 15-21-6 • 20-20-5 • 20-20-7 • 20-28-5 • 20-28-7	0.45 ~ 0.5	24	1

■ Recommended torque listed is for reference only; actual may differ. Assemble after testing torque.

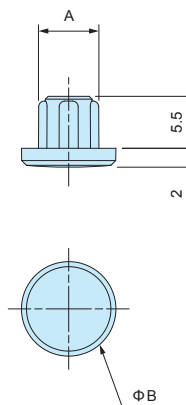
WPMB-M3/WPMB-M4

WPMB-M4-2



PFRF SERIES

RUBBER FEET



- Recommended to be used with WP series as a desktop-type unit.
- No additional hole milling required as the rubber feet fits snugly into the screw holes.
- Made from elastomer material.
- Unavailable for use with WP5-7-2, 5-7-3, 6-8-2, and 6-8-3 models.

Product no. / Dimensions

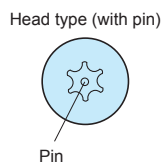
■ UL94HB

Product no.	Dimensions		Material	Color	Suitable enclosures	Pack of
	A	B				
PFRF-M2.5D	6.4	10	Elastomer UL94HB	Dark gray	WP series: 8-8-2 • 8-8-4 • 8-10-2 • 8-10-4 • 9-13-3 • 9-13-4 • 10-10-3 • 10-10-4 • 11-15-3 • 11-15-4 • 13-18-3 • 13-18-5	4
PFRF-M3D	7.2	11	Elastomer UL94HB	Dark gray	WP series: 15-15-4 • 15-15-6 • 15-21-4 • 15-21-6 • 20-20-5 • 20-20-7 • 20-28-5 • 20-28-7	4

MR SERIES

TORX SCREW for WP

← NEW SIZE →



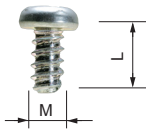
- Recommended to be used for tamper resistance, or for an elegant look and feel.
- Requires the use of a specialized screwdriver.
- Unavailable for use with WP5-7-2, 5-7-3, 6-8-2, and 6-8-3 models.

Product no. / Dimensions

Product no.	Dimensions		TORX head no.	Material	Finish	Suitable enclosures	Pack of
	M	L					
MR2.5-8ST	2.5	8	T 8 (with pin)	Stainless steel	Unfinished	WP8-8-2 • 8-10-2 • 9-13-3 • 10-10-3 • 11-15-3 • 13-18-3/WSC series	20
MR2.5-16ST	2.5	16	T 8 (with pin)	Stainless steel	Unfinished	WP8-8-4 • 8-10-4 • 9-13-4 • 10-10-4 • 11-15-4 • 13-18-5	20
NEW MR3-8ST	3	8	T10 (with pin)	Stainless steel	Unfinished	WP15-15-4 • 15-15-6 • 15-21-4 • 15-21-6 • 20-20-5 • 20-20-7 • 20-28-5 • 20-28-7	20

EM SERIES

PCB MOUNTING SCREW



- Self-tapping screws for mounting PCB on bosses or standoffs.
- EM-3-6 self-tapping screws are suitable for mounting 1.6mm or thicker PCB.

Product no. / Dimensions

Product no.	M	L	Material	Finish	Suitable enclosures	Pack of
EM-1.6	1.6	4	Steel	Trivalent chromate	CSS • CS • PS (M1.6 size) • WC	50
EM-2	2	5	Steel	Trivalent chromate	PS • TW • TWN • TWF • WP (M2 size)	50
EM-2.3	2.3	6	Steel	Trivalent chromate	LCT • LCS • LC • WH PF • PFF (M2.3 size) TW • TWN • TWF (M2.3 size) WP (M2.3 size)	50
NEW EM2.3-8	2.3	8	Steel	Trivalent chromate	WSC (for bottom base only)	50
EM-2.6	2.6	6	Steel	Trivalent chromate	PF • PFF • WP (M2.6 size)	50
EM-3	3	5	Steel	Trivalent chromate	TWS • TWN • TWF (M3 size) • SU	50
EM-3-6	3	6	Steel	Trivalent chromate		50

NMG SERIES

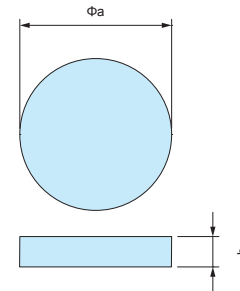
NEODYMIUM MAGNET



Round magnet



- Material / Finish: Neodymium / Nickel plated
- Please attach using a strong adhesive.



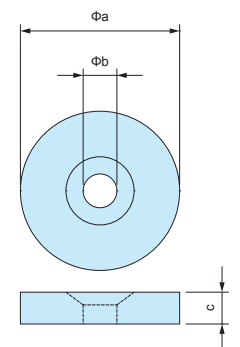
Components

Product no.	a	b	Weight (g)
NMG3-15N	15	3	4
NMG3-20N	20	3	7.1
NMG5-22N	22	5	11.4
NMG5-25N	25	5	18.4

Round magnet with countersunk hole



- Please fasten with a screw.



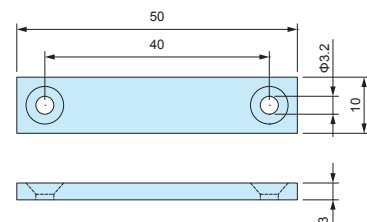
Components

Product no.	a	b	c	Countersunk size	Weight (g)
NMG3-15M3	15	3.2	3	M3	3.8
NMG3-20M3	20	3.2	3	M3	6.9
NMG5-22M4	22	4.3	5	M4	13.7
NMG5-25M5	25	5.3	5	M5	17.6

Rectangular magnet with countersunk holes



- Please fasten with screws.



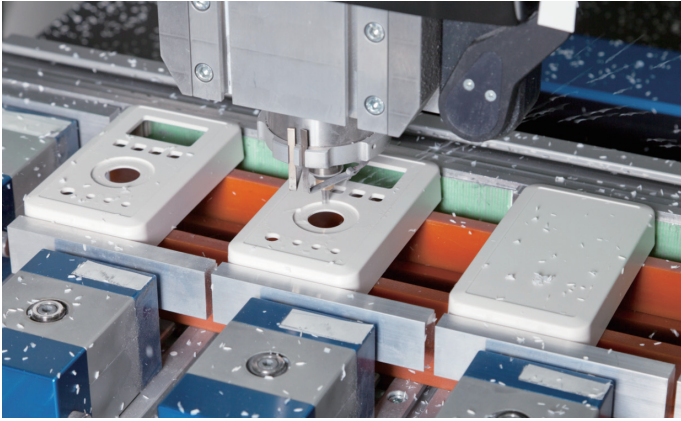
Components

Product no.	a	b	c	Countersunk size	Weight (g)
NMG3-50M3	50	10	3	M3	11.3

CAUTION: Handle with care to avoid personal injury or damage to the magnet.

Customization on Plastic Enclosures

High Speed Machining



Full Color Digital Inkjet Printing



Overlay Sheet Manufacturing



www.takachi-enclosure.com

TAKACHI ELECTRONICS ENCLOSURE CO., LTD
3-21-16 Higashi-ryoke, Kawaguchi, Saitama
332-0003, JAPAN

Tel. +81-48-222-5409
sales@takachi-el.co.jp

● All products are EU RoHS 6 compliant.